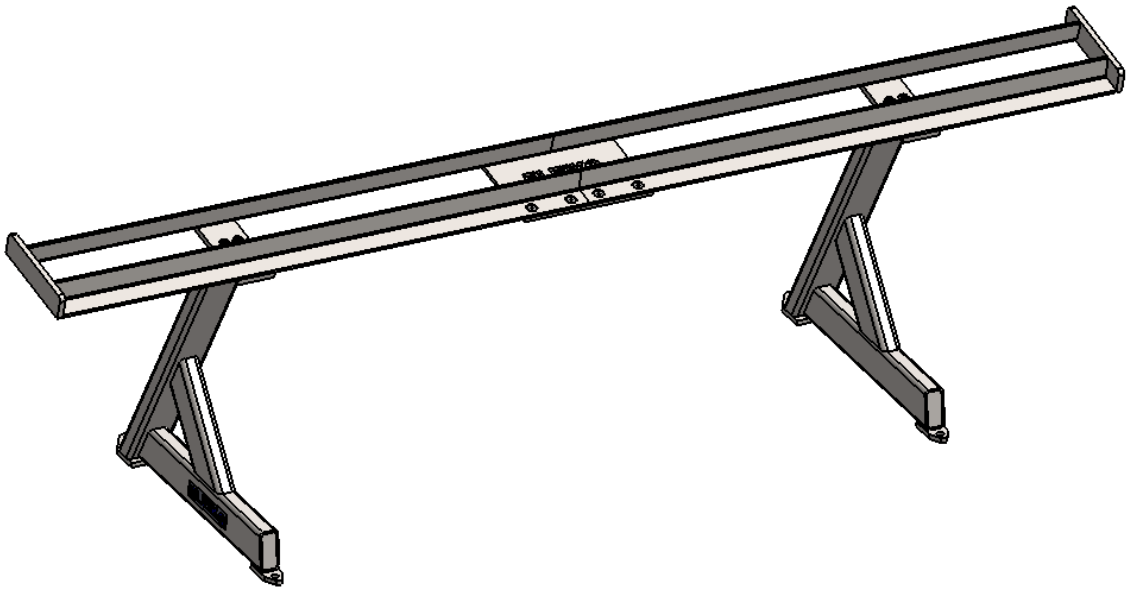


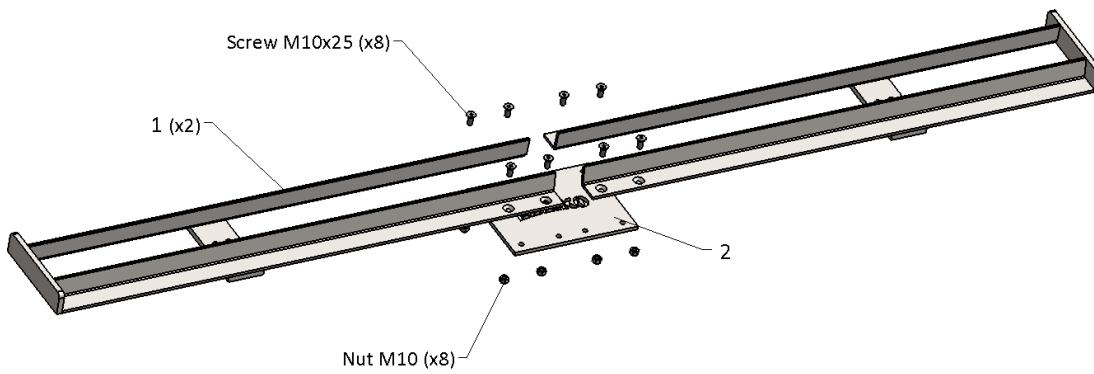
Eleiko Single Tier XF Dumbbell Rack

3002381

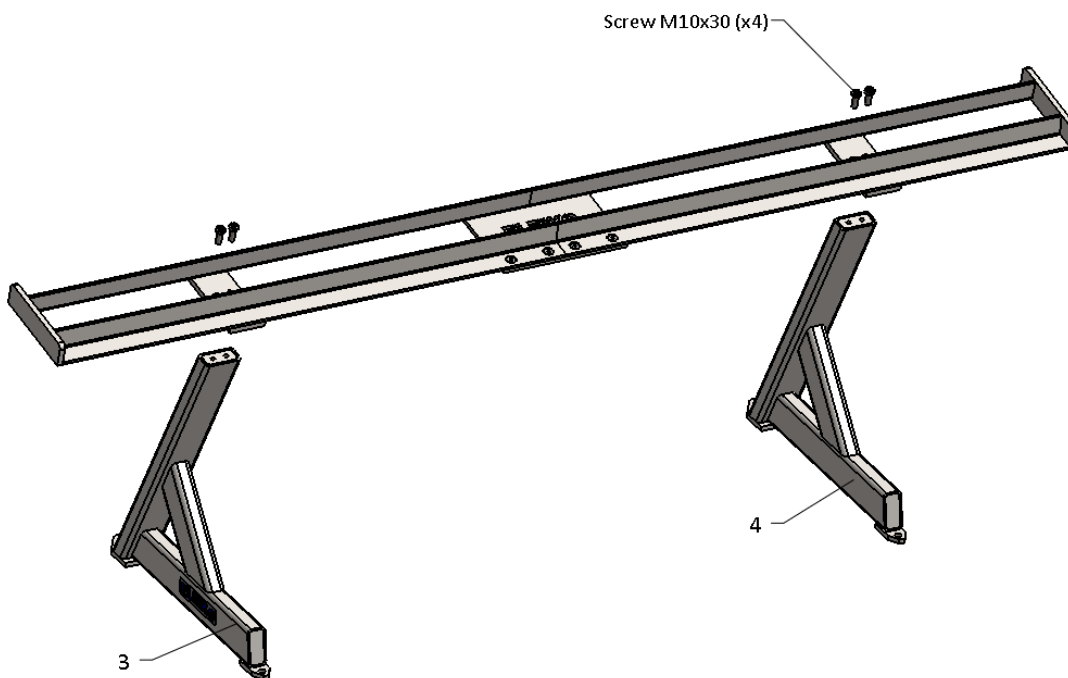
ASSEMBLY INSTRUCTIONS



1. Assemble two parts (1) with part (2). Use eight countersunk screws M10x25 and nuts M10.



2. Assemble the part above with legs (3) and (4). Make sure the Eleiko label is facing outwards and the shelf with Eleiko logo is atop. Use four screws M10x30.



Parts of Content

No

- | | |
|---|--------------------------------|
| 1 | 2 x Table part |
| 2 | 1 x Sheet metal 215x280 mm |
| 3 | 1 x Left leg |
| 4 | 1 x Right leg |
| | 8 x Screw M10x25 countersunked |
| | 4 x Screw M10x30 |
| | 8 x Nut M10 |